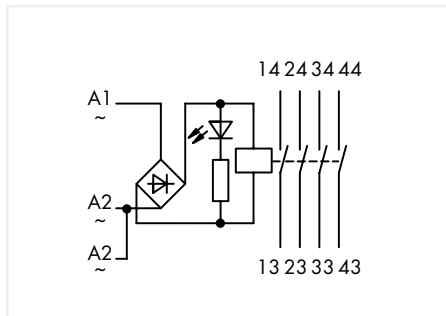


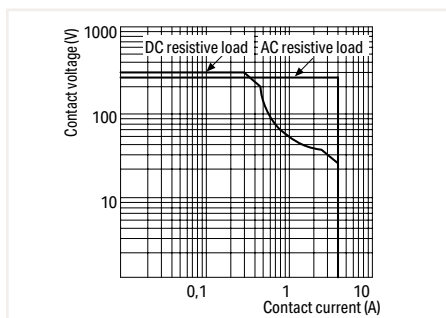
Relay Module

789 Series



Relay Module; 4 make contacts; Limiting continuous current: 4 A; Status indicator: red; 18 mm wide

U_N	I_N	Item No.	Pack. Unit
24 VAC/DC	12 mA	789-552	10



Load Limit Curve

Control Circuit

Input voltage range	-15 ... +10 %
---------------------	---------------

Load Circuit

Number of make contacts/switch-on contacts	4
Contact material	AgNi + Au
Limiting continuous current	4 A
Switching voltage (max.)	250 VAC
Switching power (resistive) max.	1000 VA (AC); DC see load limit curve
Recommended minimum load	0.1 V / 0.1 mA
Pull-in time (typ.)	20 ms
Drop-out time (typ.)	20 ms
Bounce time (typ.)	1 ms
Mechanical life	10 x 10 ⁶ switching operations

Signaling

Status indicator	Red LED
------------------	---------

Safety and Protection

Rated voltage	250 V
Rated surge voltage	2.5 kV
Pollution degree	2
Dielectric strength, control/load circuit (AC, 1 min)	1.5 kV _{rms}
Dielectric strength, open contact (AC, 1 min)	0.75 kV _{rms}
Dielectric strength, load/load circuit (AC, 1 min)	1 kV _{rms}
Protection type	IP20

Connection Data

Connection technology	CAGE CLAMP®
Solid conductor	0.08 ... 2.5 mm ² / 28 ... 14 AWG
Fine-stranded conductor	0.08 ... 2.5 mm ² / 28 ... 14 AWG
Strip Length	9 ... 10 mm / 0.35 ... 0.39 inch

Physical Data

Width	17.5 mm / 0.689 inch
Height from upper-edge of DIN-rail	55 mm / 2.165 inch
Depth	90 mm / 3.543 inch

Mechanical Data

Mounting type	DIN-35 rail
---------------	-------------

Material Data

Weight	51.9 g
--------	--------

Environmental Requirements

Surrounding air temperature (operation at U_N)	-25 ... +40 °C
Surrounding air temperature (storage)	-40 ... +85 °C
Processing temperature	-25 ... +50 °C

Standards and Specifications

Standards/specifications	EN 60664-1, EN 61810-1
--------------------------	------------------------